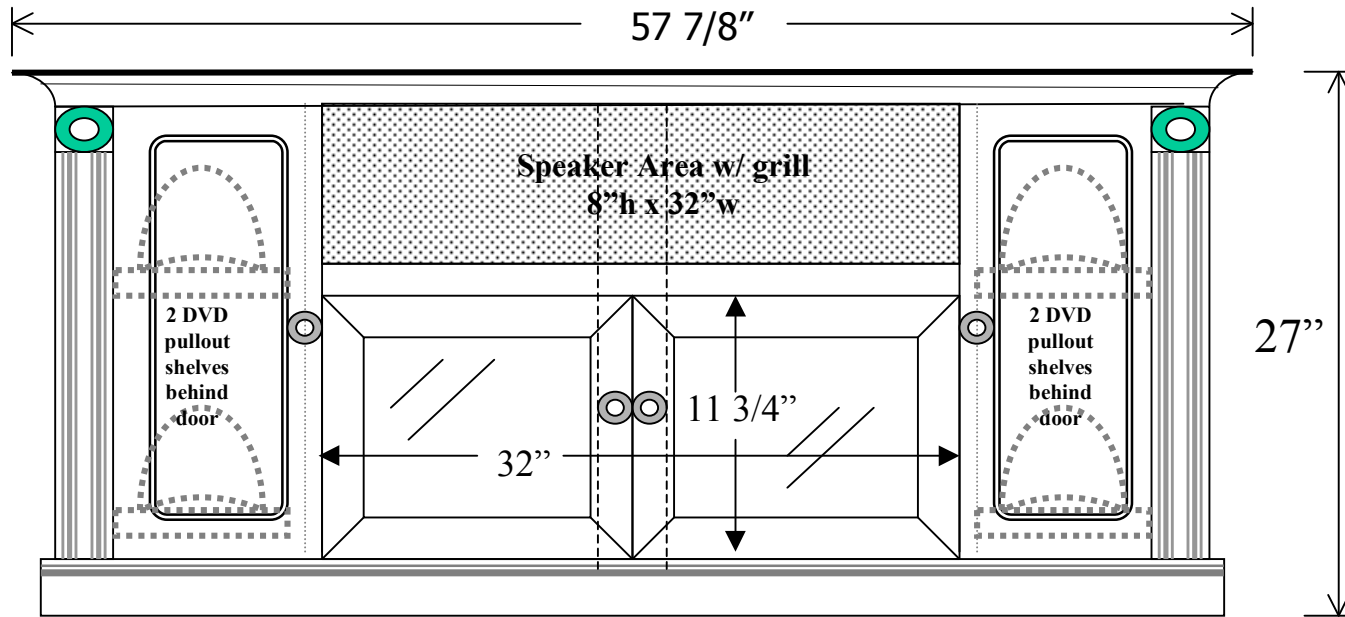


Wood designation:
5:Cherry,7:Maple, 9:Oak

***143-52**

BAKER ROAD
FURNITURE



- *Shallower depth $16 \frac{1}{2}$ " d case*
- *$18 \frac{3}{4}$ " d overall on top*
- *$15 \frac{3}{4}$ " d inside*
- *component area w/wire & heat opening*
- *Four multi-media storage trays*
- *Removable speaker grill is standard*

